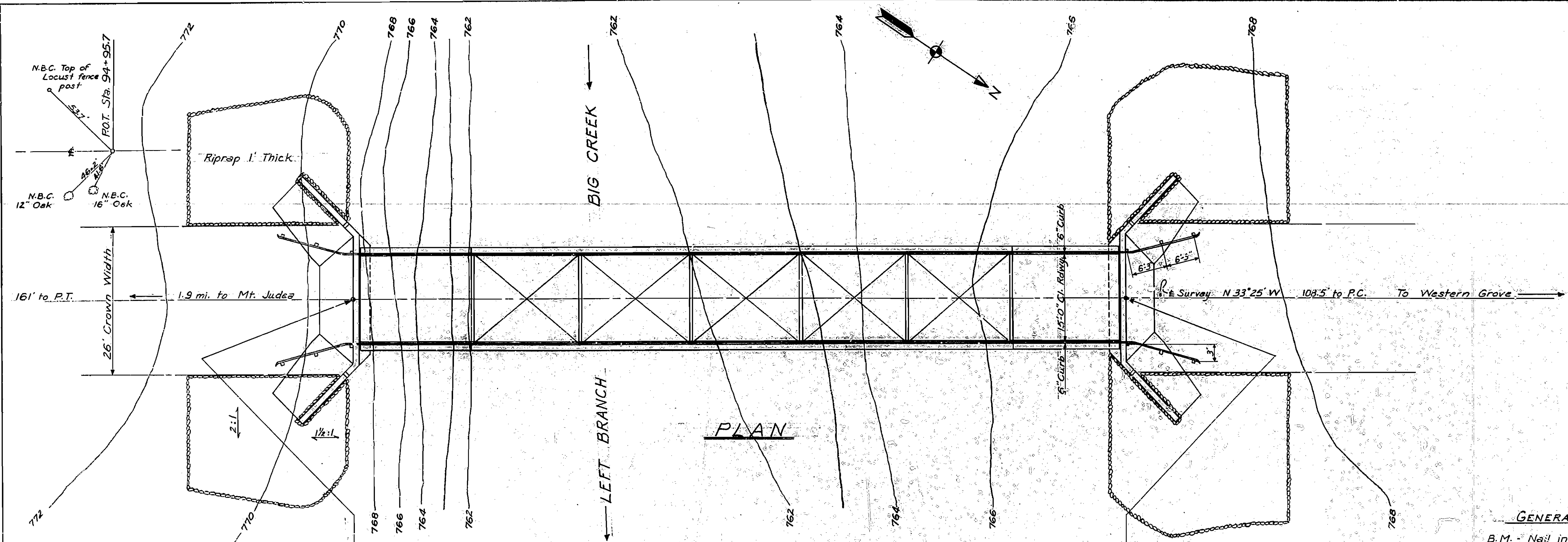


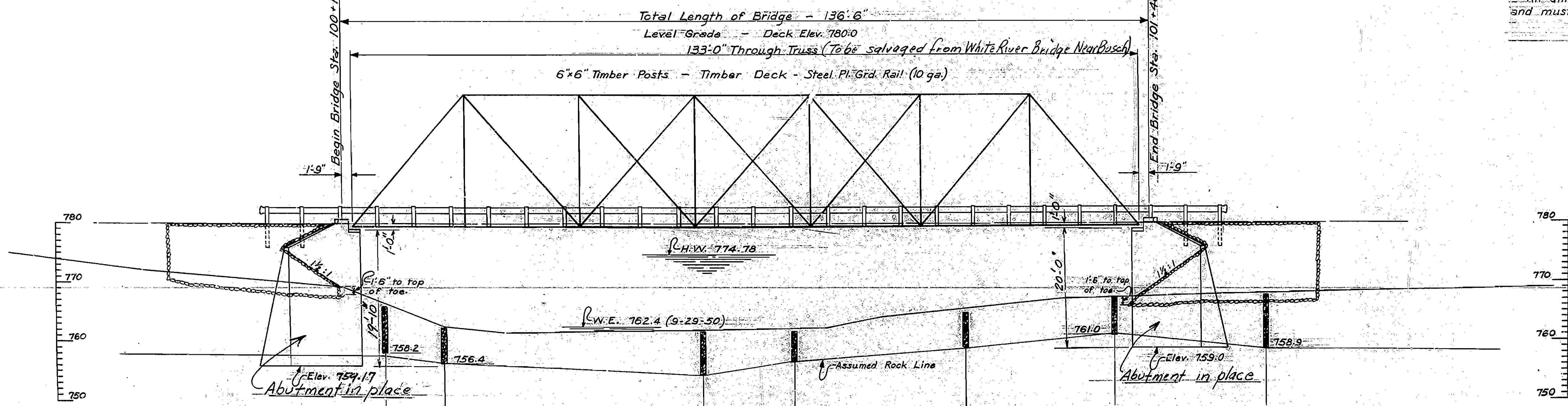
STATE	PROJECT NO.	SHEET NO.	TOTAL SHEETS
ARK.	9346	4	23



PLAN

GENERAL NOTES:

- B.M. - Nail in root of 24" Gum 5' left of Sta. 101+45. Elev. 767.63
- For details of deck and superstructure see Drwg. No. 8227
- For details of substructure see Drwg. No. 8225
- All concrete shall be poured in the dry.
- All dimensions relating to structural steel are approximate and must be verified in the field.



ELEVATION

D.A. = 40.0 mi.
C = 0.8

Station	Structure	Elevation	Foundation
100+17	Abutment in place	759.17	7.1' Solid Rock
100+27	Pier	762.4	6.0' Solid Rock
100+70	Pier	761.9	7.2' Solid Rock
100+85	Pier	761.9	5.0' Solid Rock
101+14	Pier	765.0	5.0' Solid Rock
101+40	Abutment in place	759.0	6.0' Solid Rock
101+67	Abutment in place	767.8	8.9' Solid Rock

LAYOUT OF
BRIDGE OVER LEFT BRANCH BIG CREEK
MT. JUDEA-NORTH
NEWTON COUNTY
ROUTE - 123 SEC. - 1

ARKANSAS STATE HIGHWAY COMMISSION
LITTLE ROCK, ARK.

APPROVED BY: *W. B. ...*
 Drawn By: B.R. Date: 5/15/52
 Traced By: ... Date: ...
 Checked By: ... Date: 7-2-52
 Bridge Design Engineer: ...
 BRIDGE No. 2769
 Scale: 1/4" = 10'-0"
 DRAWING No. 82123

NO. ROAD DIST. NO.	STATE	PROJECT NO.	FISCAL YEAR	SHEET NO.	TOTAL SHEETS
6	ARK.			3	32
STATE JOB NO. 9346					

SUMMARY OF BRIDGE QUANTITIES CODE NO. X032

ITEM NO.	ITEM	UNIT	BRIDGE NO. 2769				BRIDGE NO. 2770					TOTALS JOB NO. 9346
			Abutment No. 1	Abutment No. 2	Span	Totals	Abutment No. 1	Abutment No. 2	Span No. 1	Span No. 2	Totals	
SP805-3	Steel Plate Guard Rail (10 Gage)	Lin. Ft.	30	30	271	331	30	30	268	61	389	720
SP&807	Structural Steel in Beam Spans	Lb.								200	200	200
SP&807	Structural Steel in Truss Spans	Lb.			1,600	1,600			1,600		1,600	3,200
809	Treated Bridge Timber	MFBM.			12.068	12.068			12.006	3.268	15.274	27.342
909	Riprap	Cu. Yd.	53	70		123	79	160			239	362
SP	Structural Steel Beam Span - Furnished by the State	Lb.								10,000	10,000	10,000
SP	Removing and Re-erecting Truss Spans	Compl. Item				50%					50%	100%
SP	Removing and Storing Bridge Spans	Compl. Item				50%					50%	100%

NOTE: - All substructure units are in place.

SUMMARY OF BRIDGE QUANTITIES
RIGHT AND LEFT BRANCH OF BIG CREEK
MT. JUDEA — NORTH
NEWTON COUNTY
ROUTE 123 SEC. 1
ARKANSAS STATE HIGHWAY COMMISSION
LITTLE ROCK, ARK.

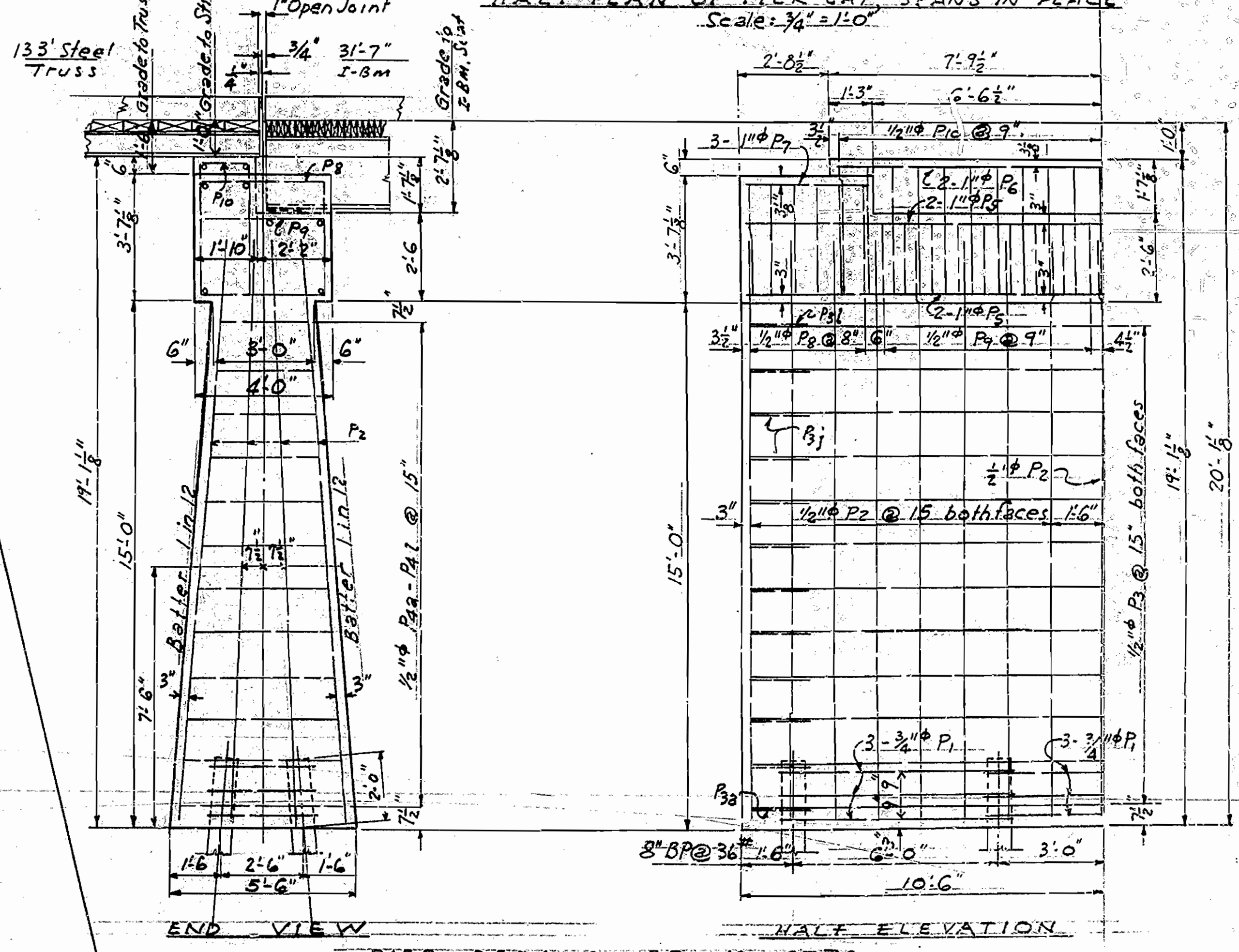
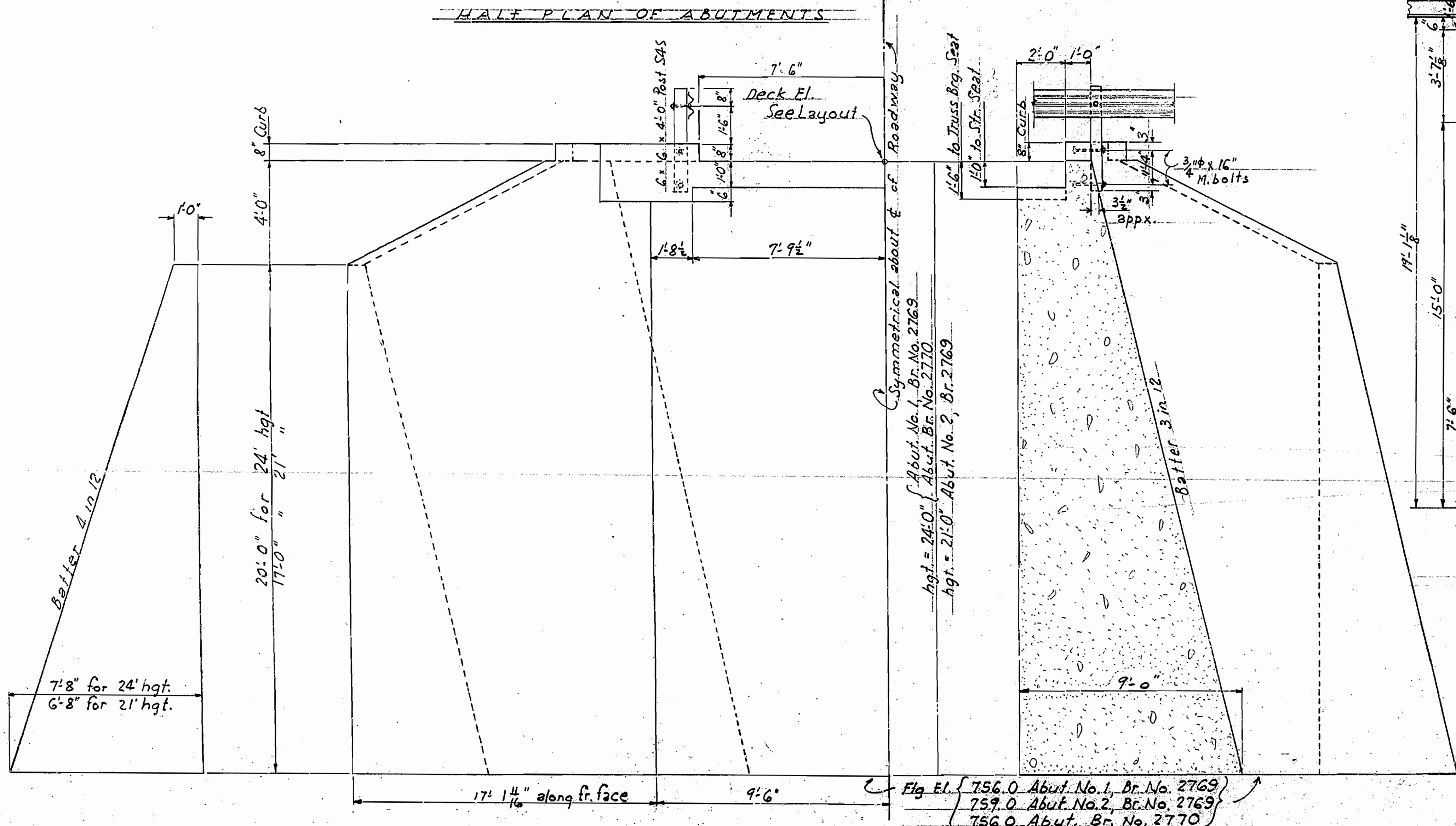
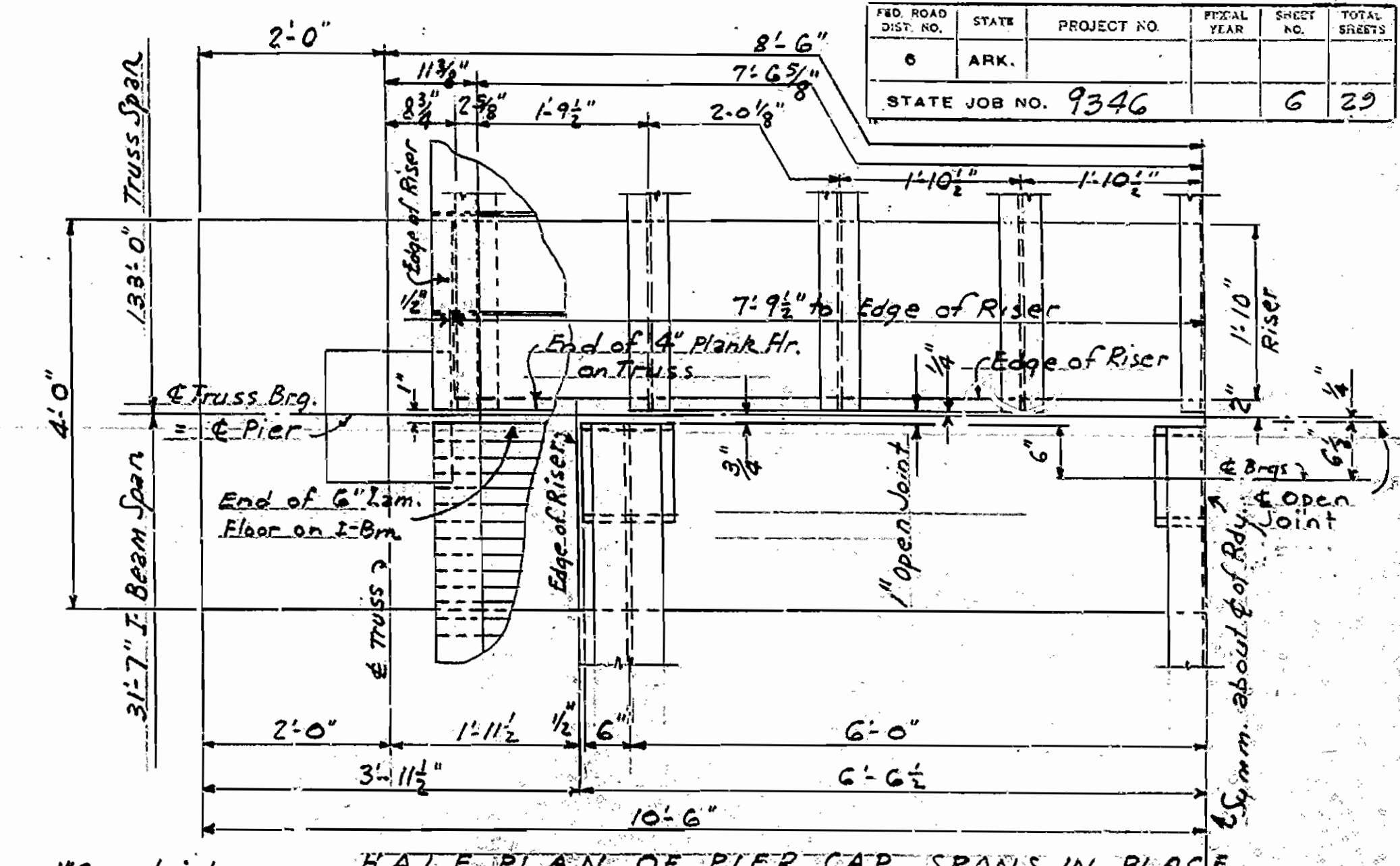
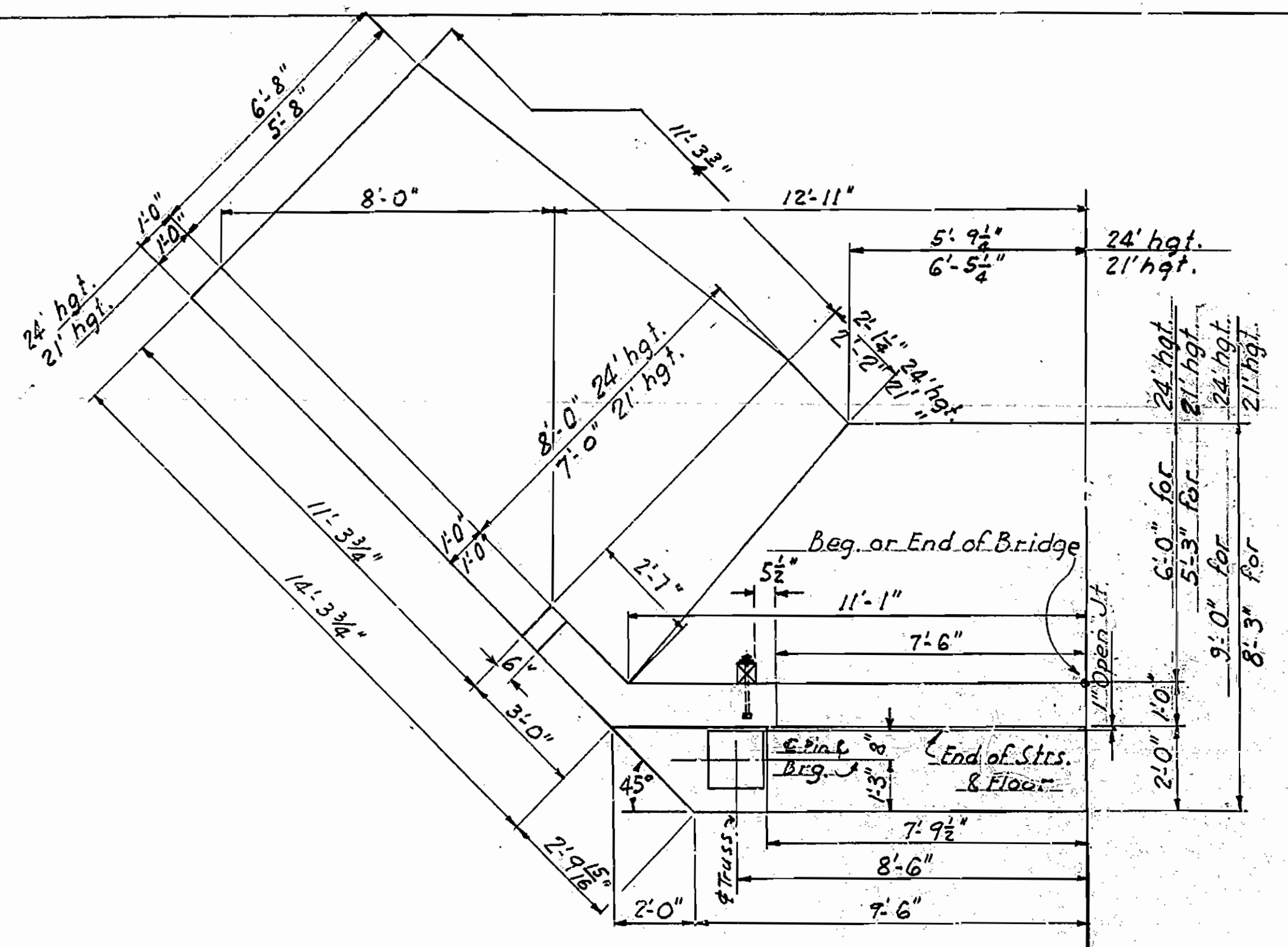
Ward E. Bradman

DRAWN BY: VEH DATE: 5-11-54
TRACED BY: DATE: 5-11-54
CHECKED BY: LPE DATE: 5-11-54
BRIDGE NO. 2769 & 2770 DRAWING NO. 2007-A

FED. ROAD DIST. NO.	STATE	PROJECT NO.	FISCAL YEAR	SHEET NO.	TOTAL SHEETS
6	ARK.	9346		6	29

LIST OF REINFORCING STEEL IN PIER

No.	Reqd. Mark	Size	Length	A	B	Diagram
9	P1	3/4" φ	20-8	6-9	3-2 1/2	Diagram A
38	P2	1/2" φ	16-6	Straight		
24	P3	1/2" φ	20-8	Straight		Diagram B
24 (222)	P4	1/2" φ	7-3 1/2	5-0 1/2	1-8	
4	P5	1" φ	20-8	Straight		Diagram C
2	P6	1" φ	15-3	Straight		
6	P7	1" φ	3-7	Straight		Diagram D
12	P8	1/2" φ	14-5	3-7 1/2	3-2 1/2	
18	P9	1/2" φ	12-3	3-7 1/2	2-1 1/2	Diagram E
21	P10	1/2" φ	11-1	3-8 1/2	1-5 1/2	



Drill holes in concrete for anchor bolts.

DETAILS OF ABUTMENTS & PIER BRIDGES OVER RIGHT & LEFT BRANCHES OF BIG CREEK
MT. JUDEA-NORTH ROAD
NEWTON COUNTY
Rte. 123 Sec. 1
ARKANSAS STATE HIGHWAY COMMISSION
LITTLE ROCK, ARK.
 Drawn By: FAW Date: 7-2-52
 Ckd. By: [Signature] Date: 7-2-52
 Scale: As noted
BRIDGES NO. 2769 & 2770 DRAWING NO. 8725

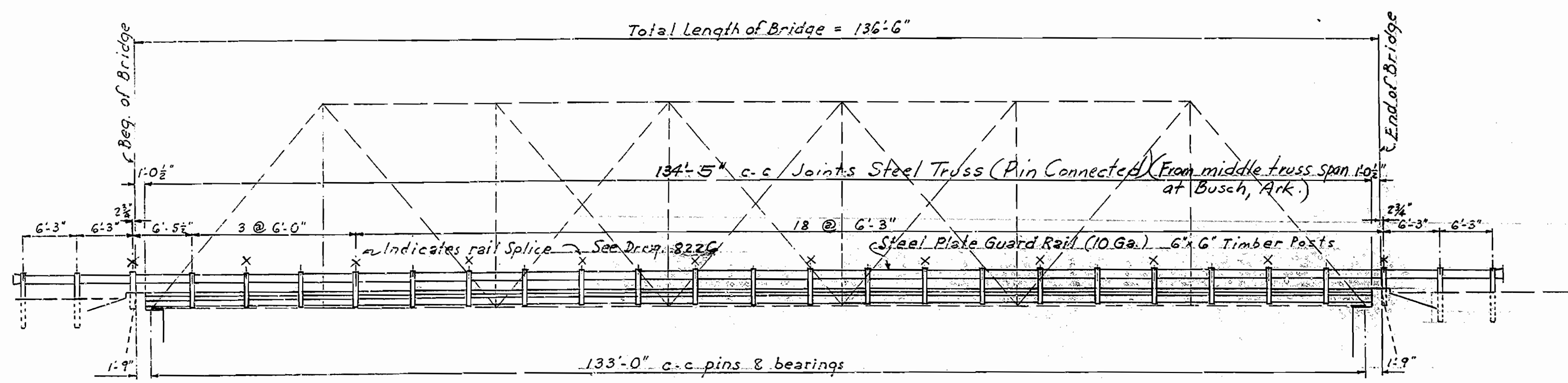
APPROVED BY
 [Signature]
 Bridge Design Engineer

END VIEW OF WING

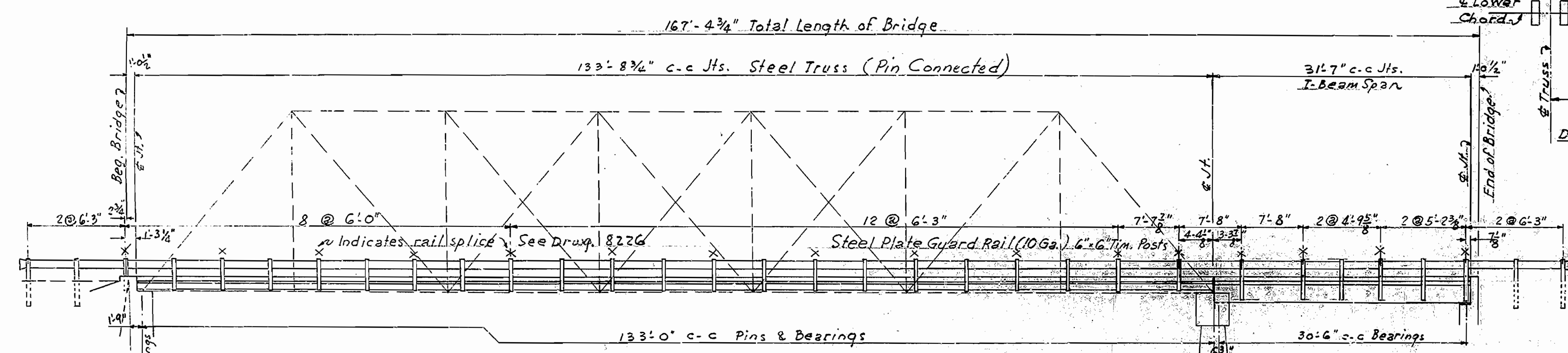
HALF FRONT ELEVATION OF ABUTMENTS
 DETAILS OF ABUTMENTS FOR BRIDGES NO. 2769 & NO. 2770
 SECTION ON C OF ROADWAY

Elev. El. 756.0 Abut. No. 1, Br. No. 2769
 759.0 Abut. No. 2, Br. No. 2769
 756.0 Abut. Br. No. 2770

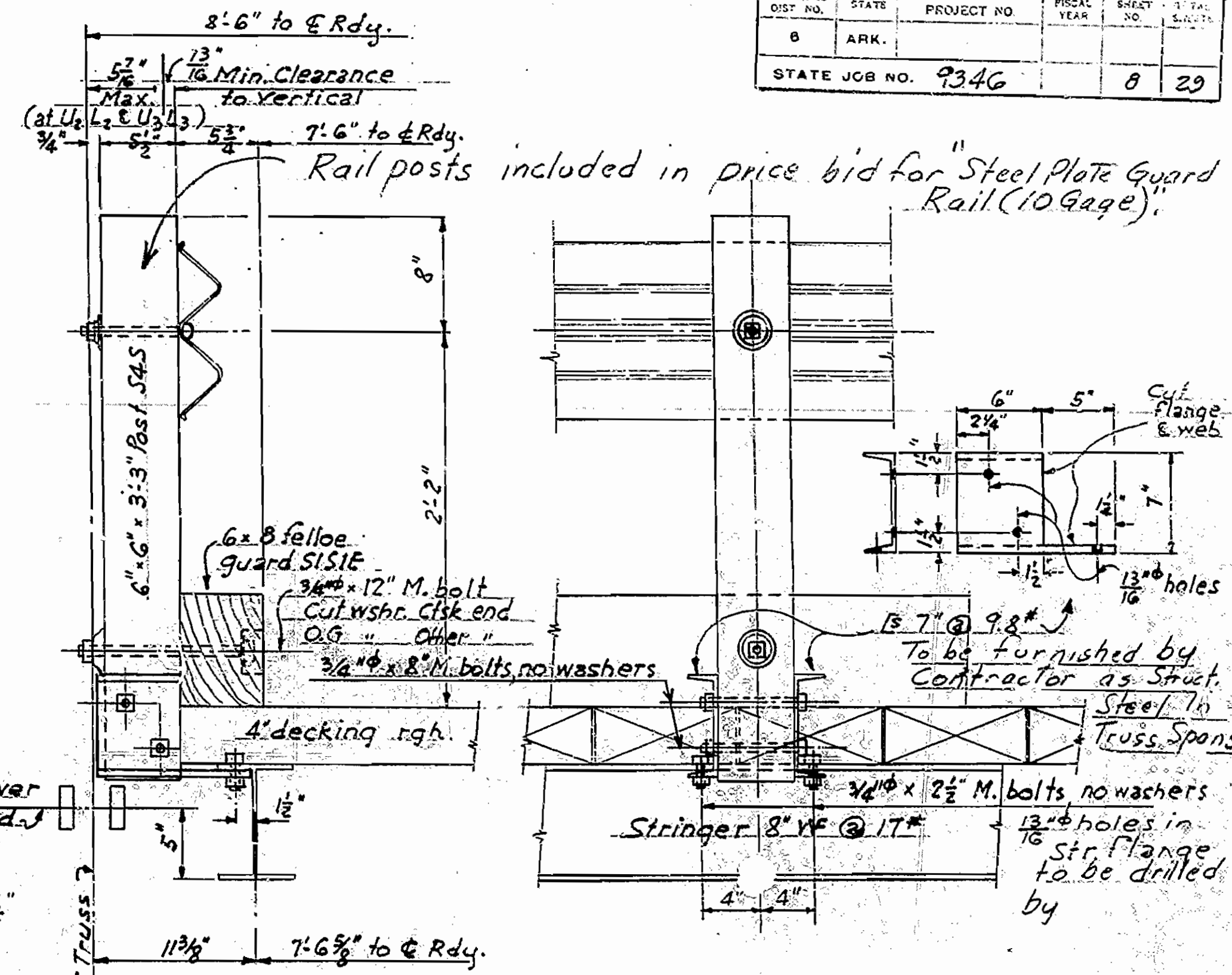
REEL NO. 8	STATE ARK.	PROJECT NO. 9346	FISCAL YEAR	SHEET NO. 8	TOTAL SHEETS 29
STATE JOB NO. 9346					



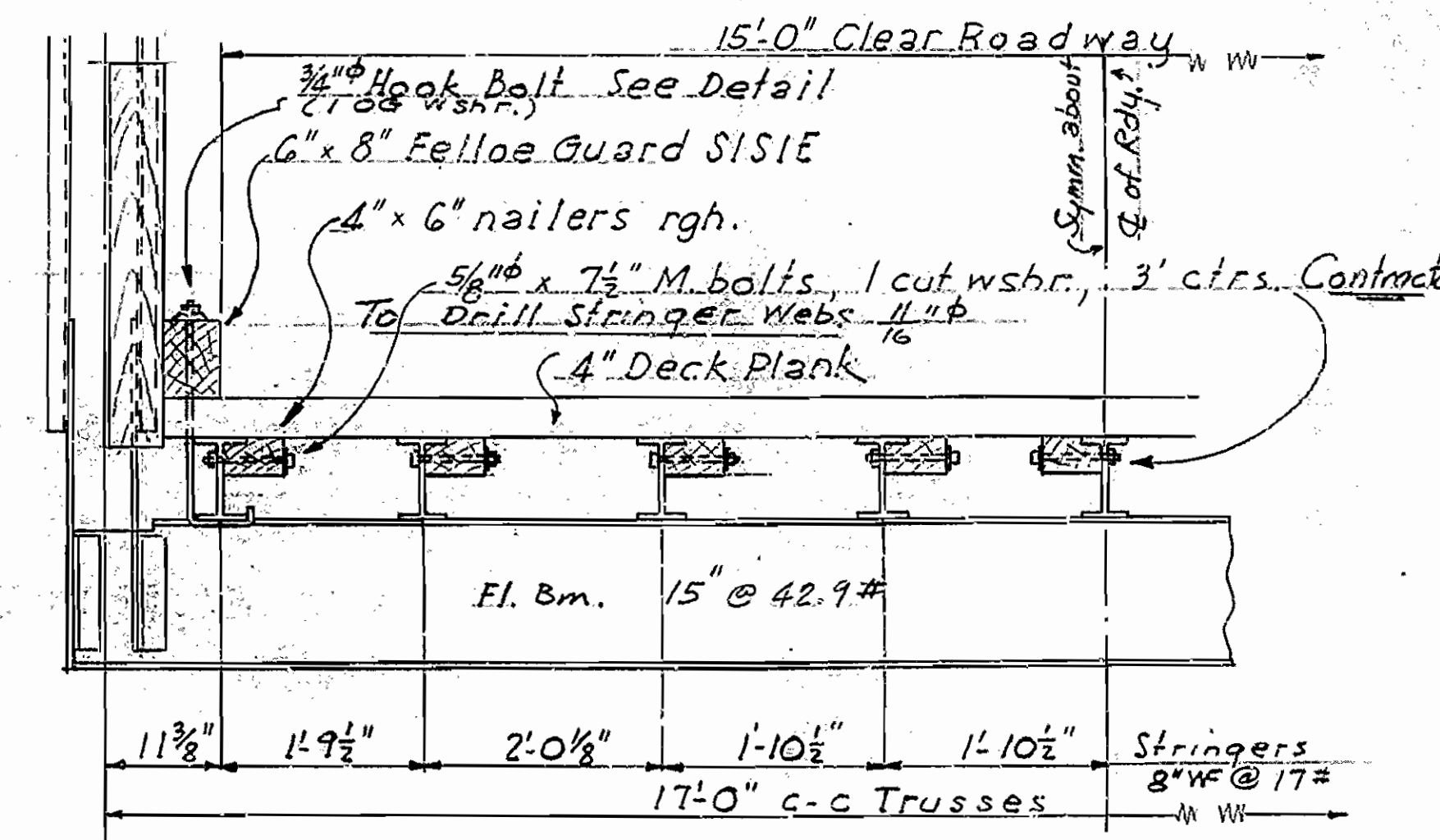
SPACING FOR HANDRAIL ON TRUSS BRIDGE NO. 2769
Scale: 1/8" = 1'-0"



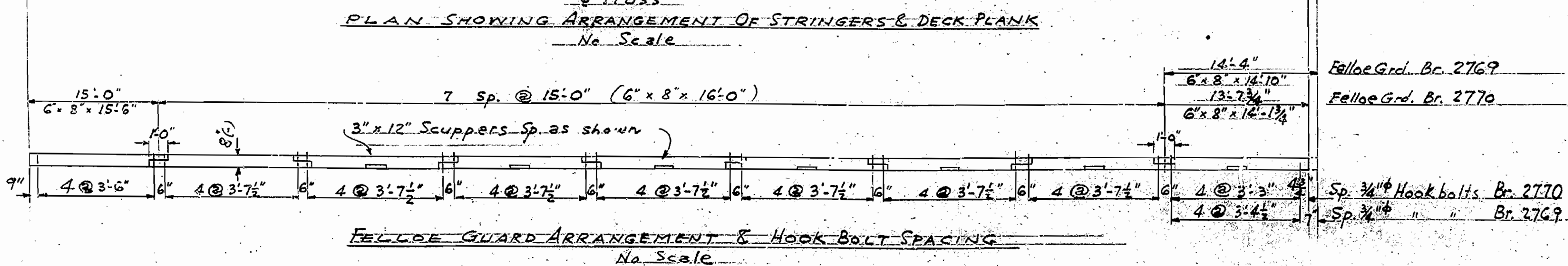
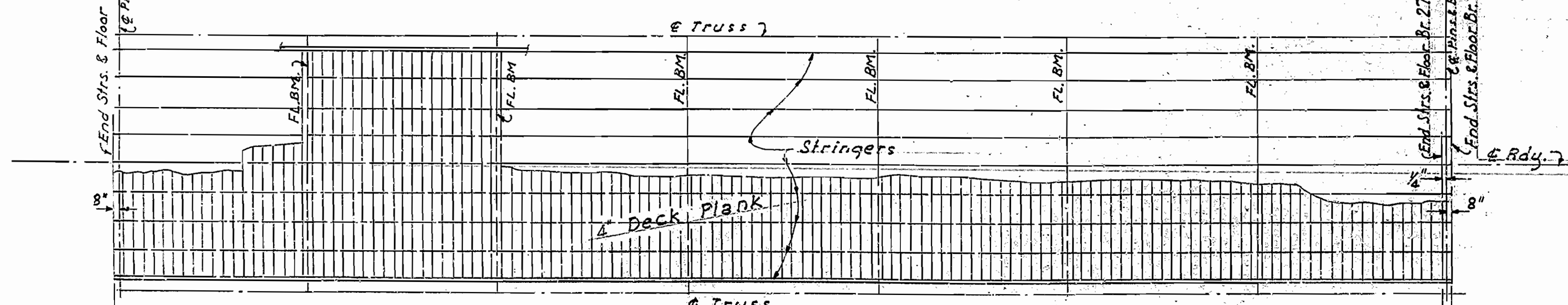
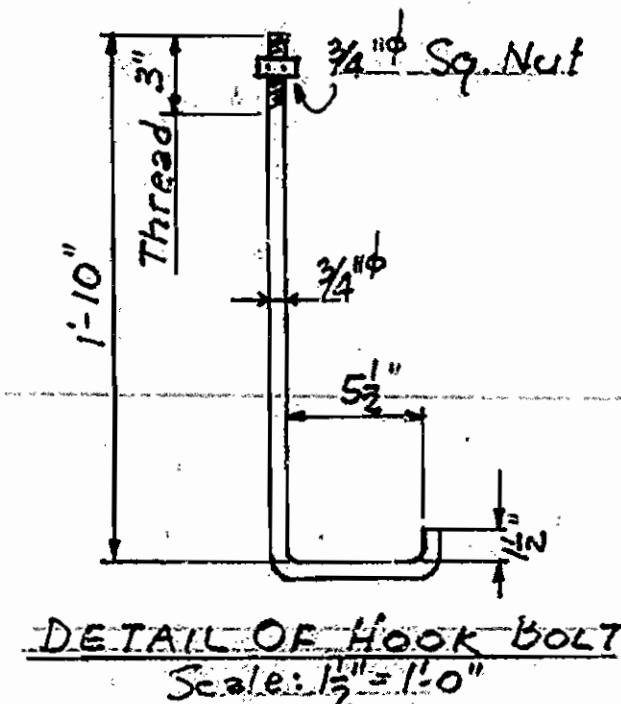
SPACING FOR HANDRAIL ON TRUSS & I-BEAM SPAN BRIDGE NO. 2770
Scale: 1/8" = 1'-0"



DETAILS OF RAIL POST CONNECTIONS ON TRUSS SPANS
Scale: 1/2" = 1'-0"



TYPICAL SECTION OF ROADWAY
Scale: 3/4" = 1'-0"
Note: All fastenings timber to structural steel furnished by Contractor shall be paid for as "Structural Steel in Truss Spans". All fastenings timber to timber included in price bid for "Treated Timber"



DETAILS OF 133' STEEL TRUSS SPANS
BRIDGES OVER
RIGHT & LEFT BRANCHES OF BIG CREEK
MT. JUDEA - NORTH ROAD
NEWTON COUNTY
RTE 123 SEC 1
ARKANSAS STATE HIGHWAY COMMISSION
TITTLE ROCK, ARK.
Scale: As noted
BRIDGES NO. 2769 & 2770 DRAWING NO. 8227

APPROVED BY
Handwritten Signature
Bridge Design Engineer